

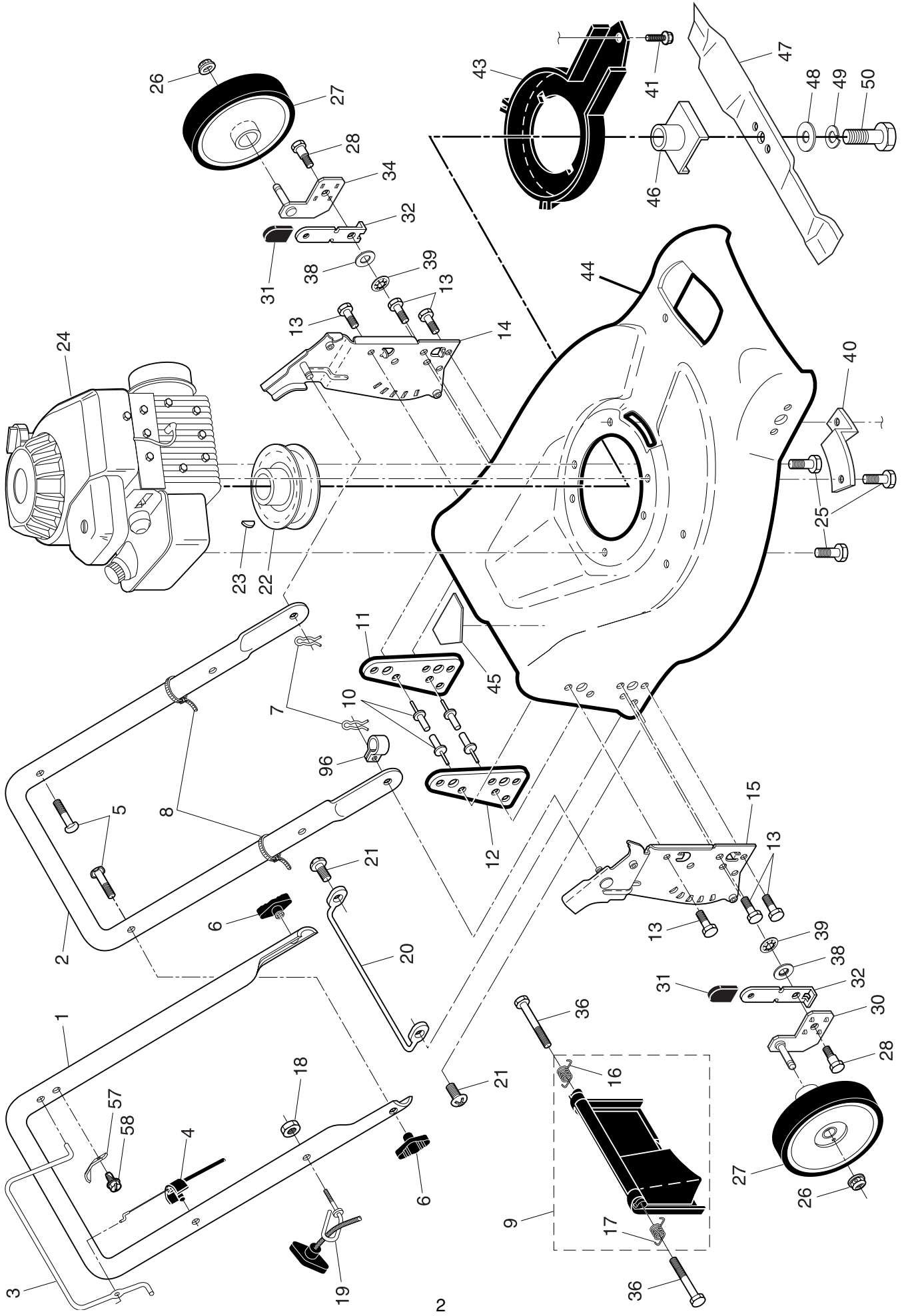
**ILLUSTRATED PARTS LIST**

**MODEL NUMBER PP4051CMD**

**PRODUCT NUMBER 961 41 00-78**

**MFG. ID. NUMBER 96141007800**

ROTARY LAWN MOWER - - MODEL NUMBER PP4051CMD (96141007800) PRODUCT NUMBER 961 41 00-78

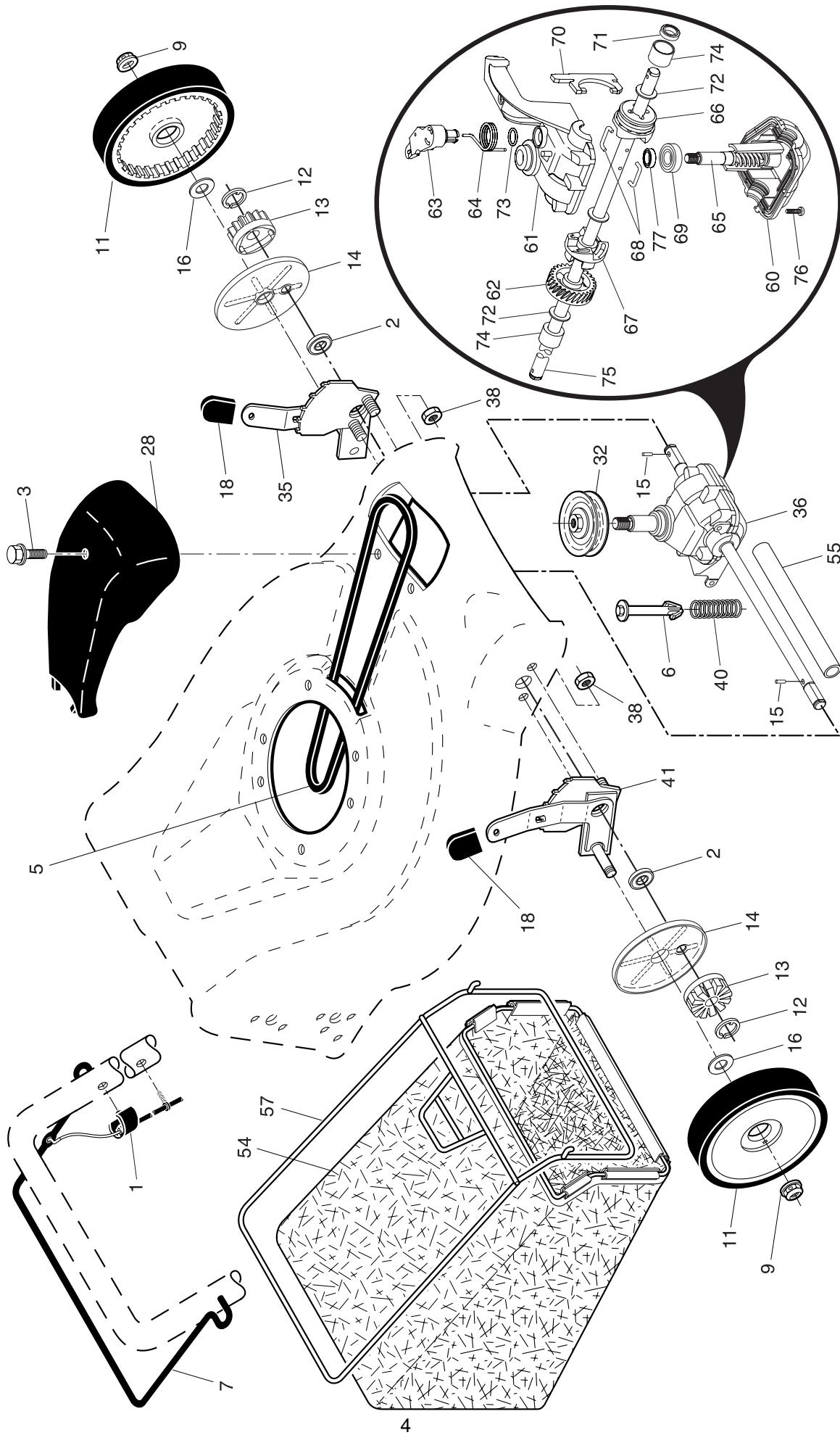


# ROTARY LAWN MOWER -- MODEL NUMBER PP4051CMD (96141007800) PRODUCT NUMBER 961 41 00-78

KEY NO.	PART NO.	DESCRIPTION	KEY NO.	PART NO.	DESCRIPTION
1	532 19 84-59	Upper Handle	26	532 08 39-23	Hex Flange Nut
2	532 15 36-05	Lower Handle	27	532 19 80-87	Wheel & Tire Assembly
3	532 19 84-64	Control Bar	28	532 18 93-12	Shoulder Bolt 5/16-18 x .33
4	532 18 35-67	Engine Zone Control Cable	30	532 19 54-35	Axle Arm Assembly, Rear, RH
5	532 19 15-74	Handle Bolt	31	532 08 78-77	Selector Knob
6	532 19 19-38	Handle Knob	32	532 19 01-57	Selector Spring
7	532 05 17-93	Hairpin Cotter	34	532 19 54-36	Axle Arm Assembly, Rear, LH
8	532 06 64-26	Wire Tie	36	532 18 41-93	Bolt, Hex Head
9	532 18 04-79	Rear Door Kit (Includes Key Numbers 16 and 17)	38	532 17 61-85	Washer
10	532 12 84-15	Pop Rivet	39	532 17 62-35	Pushnut
11	532 18 25-38	Support Bracket, LH	40	532 19 09-39	Mounting Bracket, Debris Shield
12	532 18 25-39	Support Bracket, RH	41	532 19 23-25	Screw
13	817 06 04-10	Screw 1/4-20 x 5/8	43	532 18 87-84	Debris Shield
14	532 19 01-54	Handle Bracket Assembly, LH	44	532 40 07-05	Kit, Lawn Mower Housing (Includes Key Numbers 10, 11, 12 and 45)
15	532 19 01-53	Handle Bracket Assembly, RH	45	532 18 21-66	Danger Decal
16	532 18 00-71	Spring, Rear Door, LH	46	532 18 00-69	Blade Adapter
17	532 18 00-72	Spring, Rear Door, RH	47	532 19 93-77	Blade, 21"
18	532 13 20-04	Keps Locknut 1/4-20	48	532 85 10-74	Hardened Washer
19	532 19 19-38	Rope Guide	49	532 85 02-63	Helical Washer 3/8-24 x 1-3/8 Grade 8
20	532 17 92-05	Foot Guard, C.E.	50	532 85 10-84	Hex Head Machine Screw 3/8-24 x 1-3/8 Grade 8
21	532 05 45-83	Screw, Tapping 1/4-20 x 1/2	57	532 12 51-62	Bracket, Upstop
22	532 08 45-96	Engine Pulley	58	532 75 06-34	Screw
23	532 08 76-77	Hi-Pro Key	96	532 19 27-70	Clip, Cable
24	---	Engine, Briggs & Stratton, Model Number 10E902 (order parts from engine manufacturer)	--	532 18 21-34	Decal, Warning (not shown)
25	532 15 04-06	Hex Head Thread Rolling Screw 3/8-16 x 1-1/8	--	532 40 07-11	Operator's Manual, Baltic
			--	532 40 07-08	Operator's Manual, Scandinavian

**NOTE:** All component dimensions given in U.S. inches. 1 inch = 25.4 mm. **IMPORTANT:** Use only Original Equipment Manufacturer (O.E.M.) replacement parts. Failure to do so could be hazardous, damage your lawn mower and void your warranty.

ROTARY LAWN MOWER -- MODEL NUMBER PP4051CMD (96141007800) PRODUCT NUMBER 961 41 00-78



**ROTARY LAWN MOWER - - MODEL NUMBER PP4051CMD (96141007800) PRODUCT NUMBER 961 41 00-78**

KEY PART NO.	DESCRIPTION	KEY PART NO.	DESCRIPTION
1	532 19 46-53 Control Cable Assembly	54	532 40 05-59 Grassbag Assembly
2	532 19 10-39 Bearing, Wheel Adjuster	55	532 17 57-39 Driveshaft Cover
3	532 17 52-62 Pan Head Tapping Screw #10-24 x 2-3/4	57	532 19 46-43 Frame, Grassbag
5	532 17 54-36 V-Belt	60	532 18 34-97 * Case, Lower
6	532 15 04-95 Spring Retainer	61	532 18 34-98 * Case, Upper
7	532 19 84-53 Bar, Drive Control	62	532 18 34-99 Gear, 27 Teeth
9	532 08 39-23 Locknut, Hex	63	532 18 35-00 Lever, Clutch
11	532 19 80-88 Wheel & Tire Assembly	64	532 18 35-01 Spring, Return
12	812 00 00-58 E-Ring	65	532 18 35-02 Shaft, Input
13	532 75 00-03 Pinion	66	532 18 35-03 Dog, Movable
14	532 18 94-03 Dust Cover	67	532 18 35-04 Dog, Fixed
15	532 19 10-17 Pawl, Drive	68	532 18 35-05 Wire, Formed
16	532 06 77-25 Washer 1/2 x 1-1/2 x .134	69	532 18 35-06 Bearing, Ball
18	532 08 78-77 Selector Knob	70	532 18 35-07 Fork, Shift
28	532 19 58-81 Drive Cover	71	532 18 35-08 Seal, Output Shaft
32	532 19 41-26 Drive Pulley	72	532 18 35-09 Washer
35	532 19 51-10 Kit, Wheel Adjuster, LH (Includes Knob and Bearing)	73	532 18 35-10 Seal, Case
36	532 19 49-35 Gearcase Assembly, Complete	74	532 18 35-11 Bushing
38	873 80 04-00 Locknut, Hex 1/4-20	75	532 19 66-13 Shaft, Output
40	532 13 70-90 Spring	76	532 18 35-13 Screw
41	532 19 51-07 Kit, Wheel Adjuster, RH (Includes Knob and Bearing)	77	532 18 35-14 Seal, Input Shaft

\* Use Dow Corning #709 to reseal Gear Case Halves.

**NOTE:** All component dimensions given in U.S. inches. 1 inch = 25.4 mm. **IMPORTANT:** Use only Original Equipment Manufacturer (O.E.M.) replacement parts. Failure to do so could be hazardous, damage your lawn mower and void your warranty.